

DOLMAR

SHELBY AL

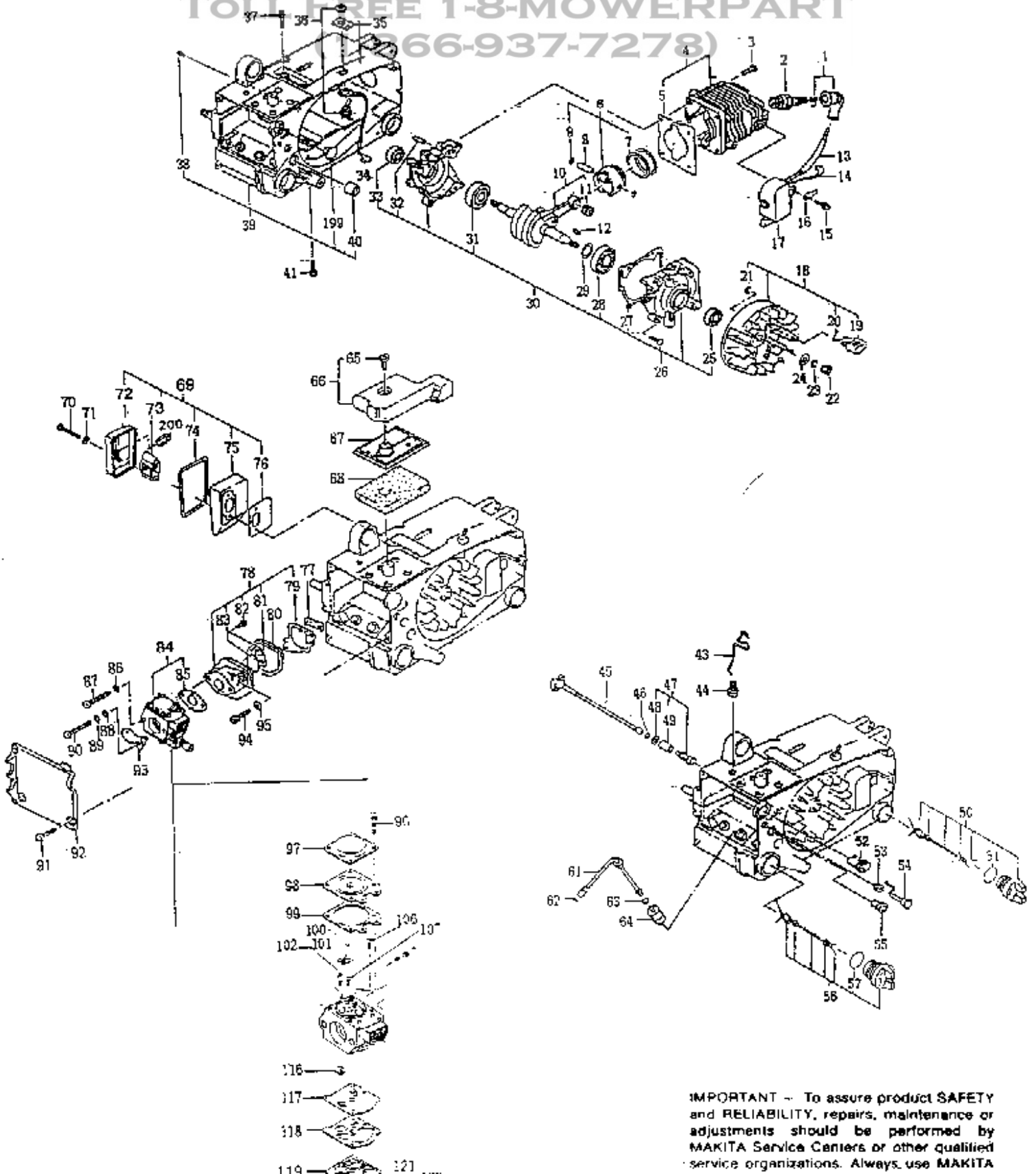
14" CHAIN SAW

Model PS3300TH

35143

TOLL FREE 1-8-MOWERPART

(866-937-7278)



IMPORTANT - To assure product **SAFETY** and **RELIABILITY**, repairs, maintenance or adjustments should be performed by **MAKITA** Service Centers or other qualified service organizations. Always use **MAKITA**

7031 HIGHWAY 47

SHELBY AL

35143

TOLE FREE 1-8-MOWERPART

1-866-937-7278)

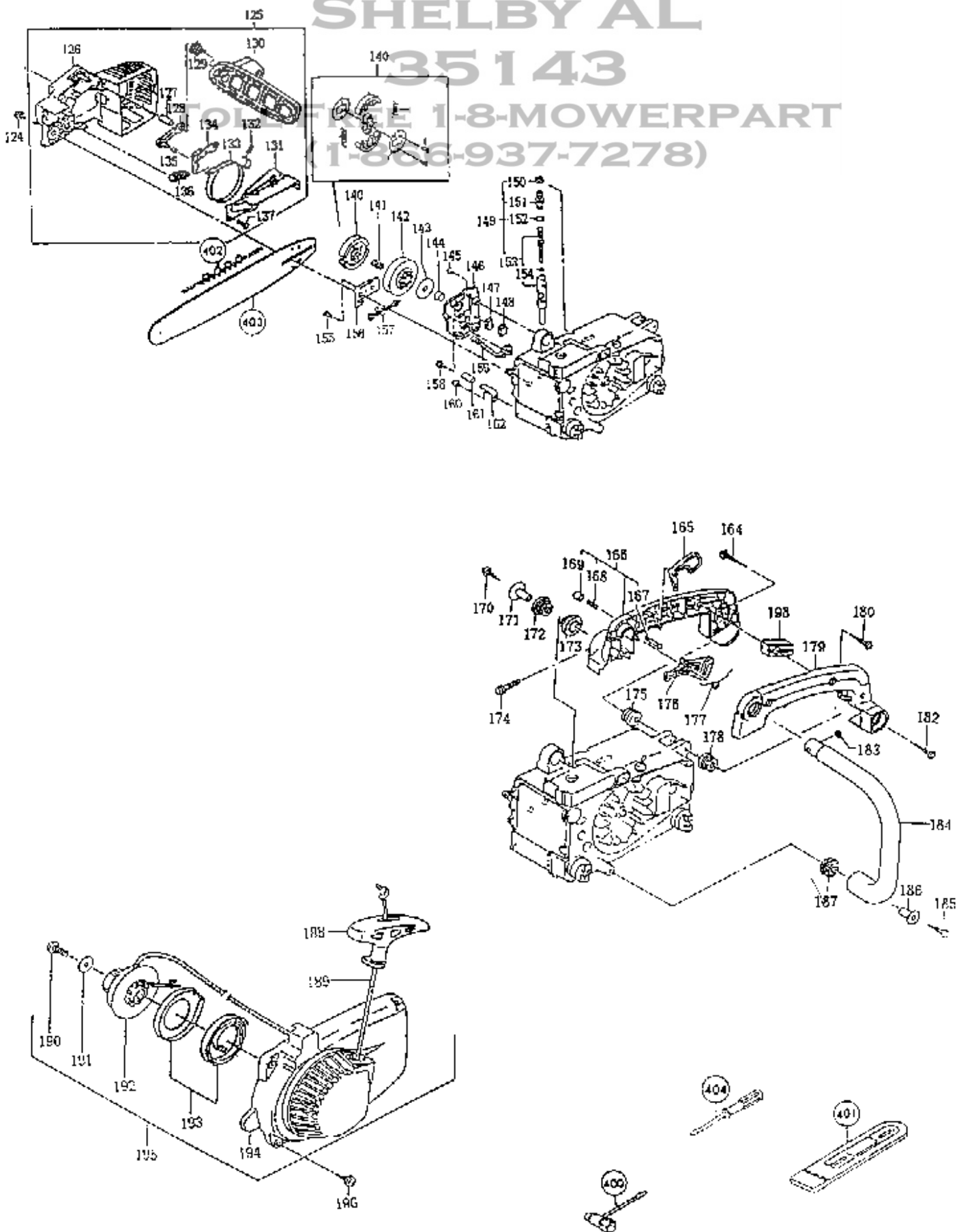


Fig.	Part No.	Qty. Used	Description	Fig.	Part No.	Qty. Used	Description
1	TN00000010	1	SPARK PLUG CAP	51	TN000000840	1	O-RING P-18
2	TN000001950	1	SPARK PLUG	52	TN000002410	1	ADJUSTING CAP
3	TN000000400	1	P.H. SCREW 5x16	53	TN000000860	1	RUBBER PLUG (f/choke rod)
4	TN000002390	1	CYLINDER SET (Incl. Fig. 5)	54	TN000000870	1	CHOKE BUTTON
5	TN000000050	1	CYLINDER PACKING	55	TN000000880	1	IDLE GROMMET
6	TN000002400	1	PISTON SET (Incl. Fig. 7 ~ 9)	56	TN000002070	1	TANK CAP Ass'y (Incl. 1 ea. TN000002050 Tank Cap Hook; 2 ea. TN000002020 Ball Chain End, 1 ea. TN000002030 Tank Cap Chain; 1 ea. TN000002040 Tank Cap Hook, & Fig 57)
7	TN000000060	2	PISTON RING	57	TN000000890	1	O-RING P-20
8	TN000000080	1	PISTON PIN 9x30	61	TN000000791	1	RUBBER PIPE
9	TN000000090	2	RETAINING RING	62	TN000000710	1	CLIP
10	TN000000100	1	CRANKSHAFT (Incl. Fig. 11)	63	TN000000710	1	CLIP
11	TN000000110	1	NEEDLE BEARING	64	TN000000800	1	PUMP FILTER BODY
12	TN000000120	1	WOODRUFF KEY	65	TN000000410	1	SCREW
13	TN000000360	1	INSULATION TUBE	66	TN000000420	1	CLEANER COVER (A) Set (Incl. Fig. 65)
14	TN000000400	1	CORD	67	TN000000440	1	CLEANER ELEMENT
15	TN000000230	2	P.H. SCREW 4x18	68	TN000000430	1	CLEANER SPONGE
16	TN000000240	1	TAB	69	TN000002440	1	MUFFLER Set (Incl. Fig. 72~76)
17	TN000000250	1	IGNITION COIL	70	TN000000590	2	P.H. SCREW 5x40
18	TN000000190	1	MAGNETO ROTOR Ass'y (Incl. Fig. 19 ~ 21)	71	TN000000460	2	WASHER 5
19	TN000000200	2	CLAW	72	TN000002450	1	MUFFLER BODY (B)
20	TN000000210	2	CLAW SPRING	73	TN000002460	1	INNER MUFFLER PIPE
21	TN000000220	2	E-STOP RING 4	74	TN000000640	1	MUFFLER COUPLING PACKING
22	TN000000160	1	FLYWHEEL NUT	75	TN000000650	1	MUFFLER BODY (A)
23	TN000000170	1	SPRING WASHER 7	76	TN000000660	1	MUFFLER PACKING
24	TN000000180	1	WASHER 7	77	TN000000690	1	SEAL COVER
25	TN000000280	1	OIL SEAL	78	TN000000530	1	INSULATING PLATE Set (Incl. Fig. 79~83)
26	TN000000260	4	P.H. SCREW 5x20S	79	TN000000580	1	SUCTION PIPE PACKING
27	TN000000290	1	CRANKCASE PACKING	80	TN000000570	1	INSULATING PLATE (f/carb)
28	TN000000300	1	BALL BEARING 6201	81	TN000000550	1	REED HOLDER
29	TN000000130	1	SHIM 0.1	82	TN000000560	2	BIND SCREW 3x12
29	TN000000140	1	SHIM 0.2	83	TN000000540	1	REED VALVE
29	TN000000150	1	SHIM 0.3	84	TN000002420	1	CARBURETOR Set (Incl. Fig. 85, 96 ~ 102, 106 - 107, & 118 ~ 122)
30	TN000000270	1	CRANKCASE Ass'y (Incl. Fig. 25, 27~29 & 31~33)	85	TN000000500	1	CARBURETOR PACKING
31	TN000000300	1	BALL BEARING 6201	86	TN000000470	1	CHOKER VALVE SHIM 0.8
32	TN000000310	1	NEEDLE ROLLER	87	TN000000450	1	P.H. SCREW 5x45S
33	TN000000280	1	OIL SEAL	88	TN000000470	1	CHOKE VALVE SHIM 0.8
34	TN000000390	1	GROUNDING CORD	89	TN000000480	1	WASHER 5
35	TN000000380	1	SWITCH PLATE	90	TN000000450	1	P.H. SCREW 5x45S
36	TN000000370	1	STOP SWITCH Ass'y	91	TN000001580	3	SCREW 4.5 x 14
37	TN000000350	1	H.S.H. BOLT 5x20	92	TN000000680	1	CLEANER COVER (B)
38	TN000000330	1	VENTILATING VALVE	93	TN000000480	1	CHOKE VALVE
39	TN000002270	1	ENGINE CASE Ass'y (Incl. Fig. 38 & 40)	94	TN000000510	2	H.S.H. BOLT 5x20S
40	TN000000340	1	TANK CAP Ass'y (inside cap)	95	TN000000520	2	WASHER 5
41	TN000000350	3	H.S.H. BOLT 5x20	96	TN000001240	4	SET SCREW
43	TN000000750	1	THROTTLE ROD	97	TN000001120	1	DIAPHRAGM COVER
44	TN000000760	1	THROTTLE GUIDE	98	TN000001130	1	METERING DIAPHRAGM
45	TN000000700	1	OIL PIPE (B)	99	TN000001140	1	DIAPHRAGM PACKING
46	TN000000710	1	CLIP	100	TN000001110	1	HINGE PIN
47	TN000000740	1	OIL FILTER BODY Ass'y (Incl. Fig. 48 & 49)	101	TN000001080	1	CONTROL LEVER
48	TN000000460	1	WASHER 5	102	TN000001151	1	NEEDLE VALVE
49	TN000000730	1	OIL FILTER	106	TN000001090	1	HINGE PIN SET SCREW
50	TN000002060	1	OIL TANK CAP Ass'y (Incl. 1 ea. TN000002010 Oil Tank Cap Hook; 2 ea. TN000002020 Ball Chain End, 1 ea. TN000002030 Tank Cap Chain; 1 ea. TN000002040 Tank Cap Hook, & Fig 51)	107	TN000001100	1	VALVE SPRING

7031 HIGHWAY 47

SHELBY AL

Fig.	Part No.	Qty. Used	Description	Fig.	Part No.	Qty. Used	Description
116	TN00001010	1	INLET SCREEN	160	TN00000920	1	SCREW 5x14
117	TN00001050	1	PUMP DIAPHRAGM	161	TN00001540	1	FUEL PIPE
118	TN00001040	1	PUMP PACKING	162	TN00001550	1	CHAIN CATCHER
119	TN00001020	1	PUMP BODY	164	TN00000920	1	SCREW 5x14
120	TN00001030	1	SET SCREW	165	TN00001820	1	SAFETY LEVER
121	TN00001200	1	IDLE ADJUST SPRING	166	TN00001780	1	REAR HANDLE (B) (Incl. Fig. 167-168)
122	TN00001210	1	IDLE ADJUST SCREW	167	TN00001810	1	PUSH PIN
124	TN00001280	1	CHAIN BAR FIXING NUT	168	TN00001800	1	STOPPER SPRING
125	TN00002320	1	SIDE CASE Ass'y (Incl. Fig. 126-137)	169	TN00001790	1	PUSH PIN CAP
126	TN00002300	1	SIDE COVER Ass'y	170	TN00001730	1	SCREW 5x40
127	TN00001670	1	SLEEVE (ff/cleaner)	171	TN00001740	1	DAMPER COLLAR (A)
128	TN00001630	1	REINFORCING PLATE (ff/brake)	172	TN00001750	1	DAMPER (A)
129	TN00001700	1	BRAKE LEVER SPRING	173	TN00001750	1	DAMPER (A)
130	TN00001600	1	BRAKE HANDLE	174	TN00001760	1	P.H. SCREW 4x30
131	TN00001611	1	BRAKE LINK COVER	175	TN00002250	1	DAMPER Cpl.
132	TN00001640	1	NEEDLE ROLLER 3x9.8	176	TN00001830	1	THROTTLE LEVER
133	TN00001660	1	BRAKE BAND	177	TN00001840	1	THROTTLE LEVER SPRING
134	TN00001650	1	BRAKE LINK	178	TN00002750	1	DAMPER Cpl
135	TN00001680	1	COLLAR 7	179	TN00001850	1	REAR HANDLE (A)
136	TN00001620	1	BRAKE SPRING	180	TN00001710	3	HIGH-LOW SCREW 4x15
137	TN00001710	3	HIGH-LOW SCREW 4x15	182	TN00000920	1	SCREW 5x14
140	TN00001290	1	CLUTCH (Incl. 2 ea. TN00001440 Clutch Shoe; 1 ea. TN00001450 Clutch Boss; 2 ea. TN00001460 Clutch Spring; 2 ea. TN00001470 Clutch Plate (A), 2 ea. TN00001480 Rivet 4x14)	183	TN00001720	1	NYLON NUT 4
141	TN00001300	1	NEEDLE BEARING	184	TN00001880	1	FRONT HANDLE
142	TN00002330	1	CLUTCH HOUSING	185	TN00001860	1	SCREW 5x35
143	TN00001320	1	CLUTCH WASHER 2.0	186	TN00001900	1	DAMPER COLLAR (B)
144	TN00001530	1	CRANKSHAFT COLLAR 7.7	187	TN00001890	1	DAMPER (B)
145	TN00001330	2	P.H. SCREW 5x14	188	TN00000970	1	STARTER HANDLE
146	TN00001340	1	OIL PUMP COVER	189	TN00000950	1	ROPE 3x80
147	TN00001370	1	AIR VENT	190	TN00000920	1	SCREW 5x14
148	TN00001360	1	GEAR	191	TN00000930	1	BRAKE SHAFT WASHER 1.8
149	TN00001380	1	OIL PUMP Ass'y (Incl. Fig. 150-153)	192	TN00000940	1	STARTER PULLEY
150	TN00001390	1	OIL ADJUST GROMMET	193	TN00000960	1	SPIRAL SPRING CASE Ass'y
151	TN00001400	1	OIL PUMP ADJUSTER	194	TN00002290	1	FAN CASE Ass'y
152	TN00001410	1	O-RING P-6	195	TN00002310	1	RECOIL STARTER Ass'y (Incl. Fig. 188-194)
153	TN00001420	1	OIL PUMP CASE Set (Incl. Fig. 154)	196	TN00000990	4	SCREW 4.5x20
154	TN00001410	1	O-RING P-6	198	TN00002260	1	HANDLE WEIGHT
155	TN00001490	1	HIGH-LOW SCREW 4x10	199	TN00001970	1	BLIND CAP (A)
156	TN00001500	1	PLATE	200	TN00002470	1	MUFFLER WIRE
157	TN00002150	1	CHAIN ADJUST SCREW	ACCESSORIES			
158	TN00001580	2	SCREW 1.5x14	400	TN00001920	1	UNIVERSAL WRENCH
159	TN00001350	1	OIL PUMP (A)	401	952-100-643	1	CHAIN COVER
				402	522-082-052	1	14" CHAIN 3/8"
				403	412-035-661	1	14" GUIDE BAR
				404	TN00002480	1	DRIVER